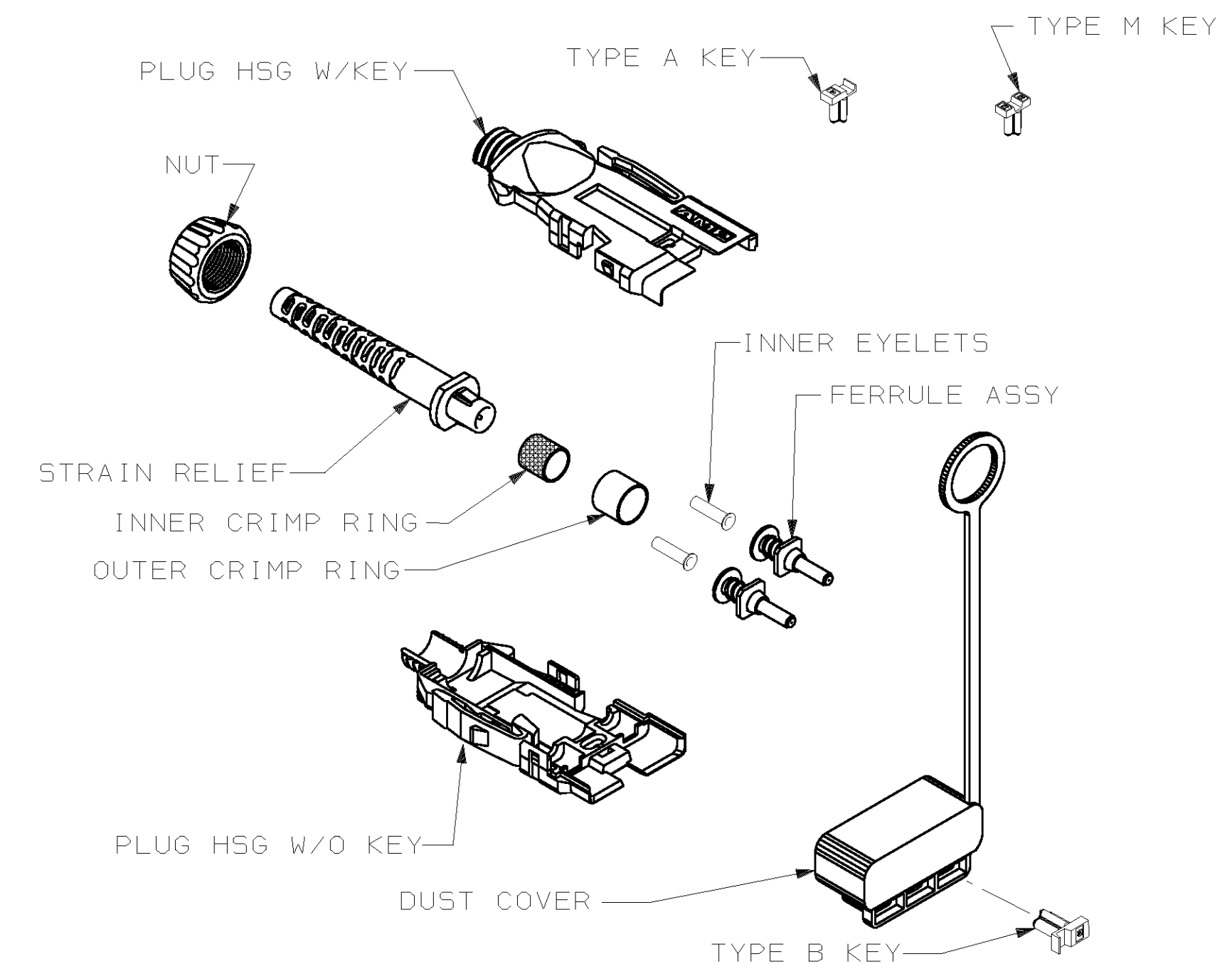
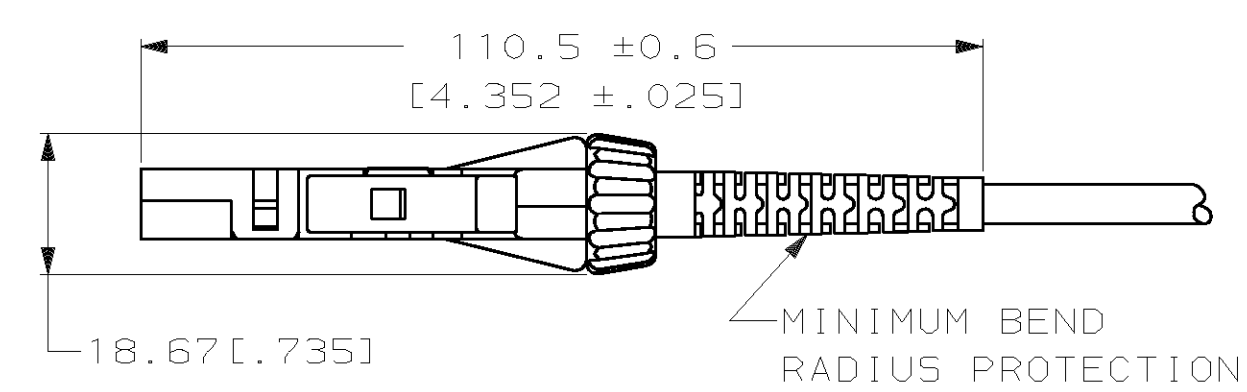
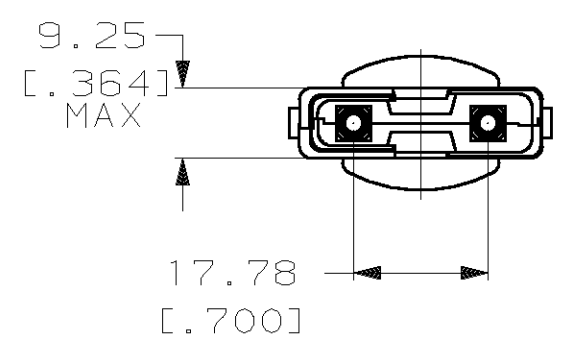
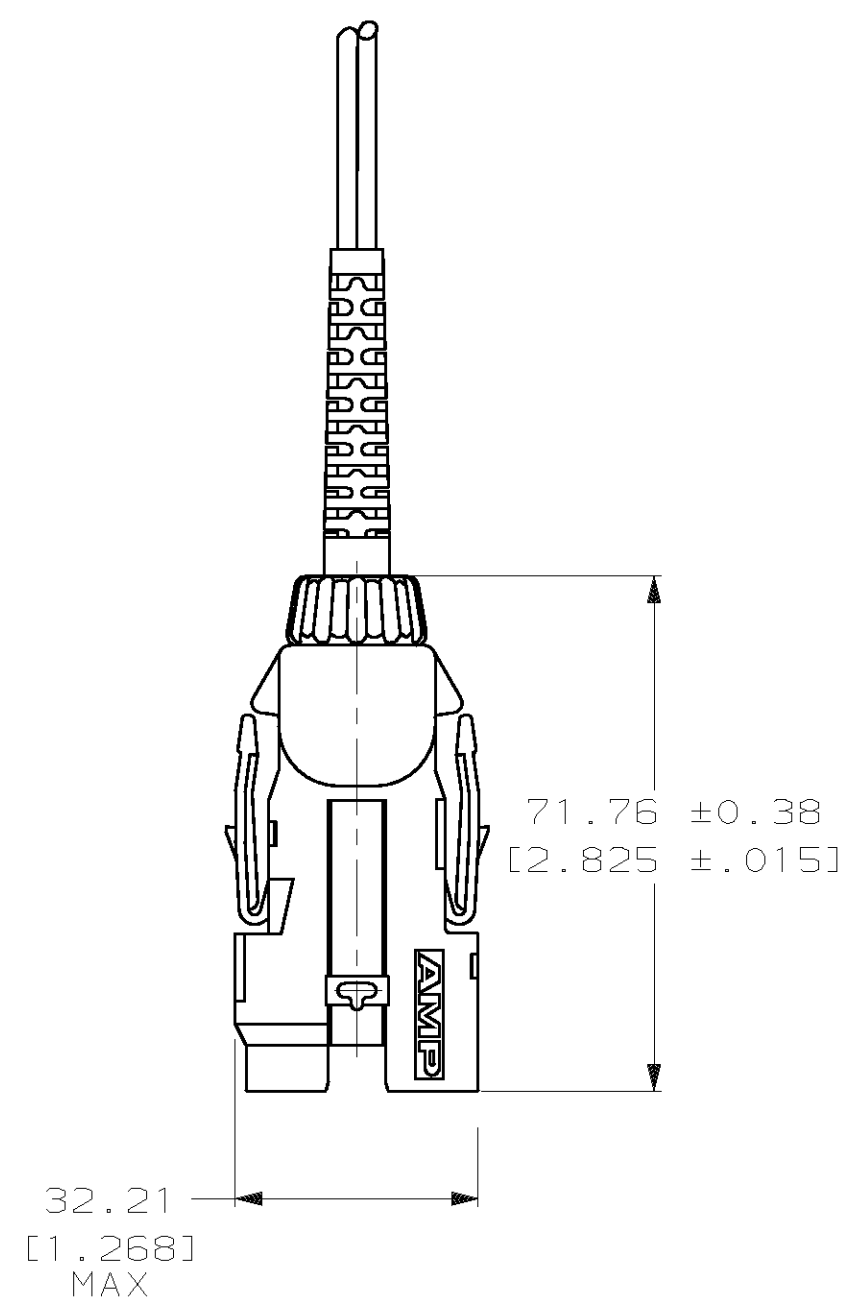
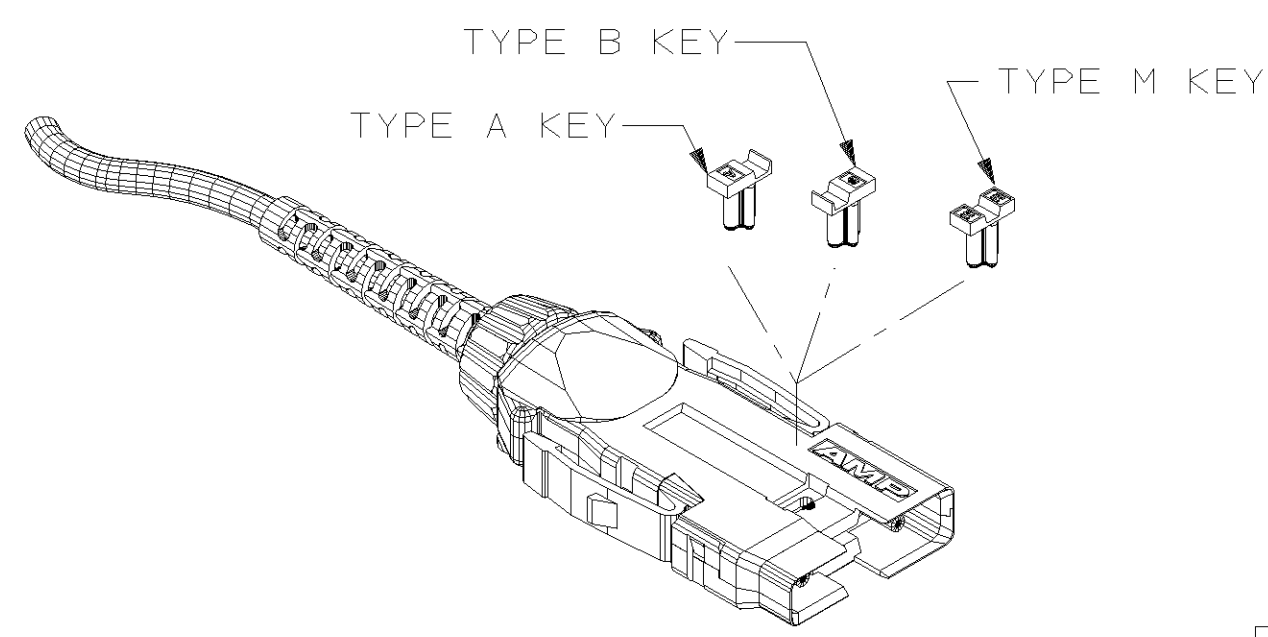


THIS DRAWING IS UNPUBLISHED. RELEASED FOR PUBLICATION \_\_\_\_\_, 19\_\_\_\_.  
 © COPYRIGHT 19\_\_\_\_ BY AMP INCORPORATED, HARRISBURG, PA. ALL INTERNATIONAL RIGHTS RESERVED. AMP PRODUCTS MAY BE COVERED BY U.S. AND FOREIGN PATENTS AND/OR PATENTS PENDING.

LOC	DIST	P	F	ZONE	LTR	REVISIONS	DATE	APPROVED
CE	16				K	REV PER 0A00-0588-03	26MAR04	KG/SB

- DIMENSIONS IN [ ] ARE IN INCHES
- CONNECTOR WITHOUT KEY IS TYPE S
- HOUSINGS: PBT MOLDING COMPOUND  
 NUT: PBT MOLDING COMPOUND  
 FERRULE ASSY: STAINLESS STEEL AND CERAMIC  
 INNER CRIMP RING: BRASS  
 OUTER CRIMP RING: COPPER  
 INNER EYELET: BRASS  
 STRAIN RELIEF: POLYPROPYLENE  
 DUST COVER: THERMOPLASTIC RUBBER
- INSTRUCTION SHEET 9373
- BULK PACKAGED, 200 PER PACKAGE.



	FIBER SIZE	PART NO
125µm		502015-3
140µm		502015-2
125µm		502015-1

UNLESS OTHERWISE SPECIFIED DIMENSIONS ARE IN mm TOLERANCES ON : 2 PL DEC ±0.13 [.005] 3 PL DEC ± - ANGLES ± -	DR B. BRIGGS 5-19-88	AMP INCORPORATED Harrisburg, Pa. 17105		
	CHK J. ZEIDERS 5-19-88			
MATERIAL 3	APPD L. BUDD 5-20-88	NAME CONNECTOR KIT, FOR LIGHT DUTY DUAL CABLE, AMP FSD		
	APPD D. THOMPSON 5-20-88			
FINISH -	PRODUCT SPEC -	SIZE C	FSCM NO 00779	DRAWING NO 502015
	APPLICATION SPEC -	SCALE 1:1		SHEET 1 OF 1
	WEIGHT -			

**METRIC**  
 RESTRICTED RELEASE  
 DRAWING MAY CHANGE WITHOUT  
 CUSTOMER NOTIFICATION